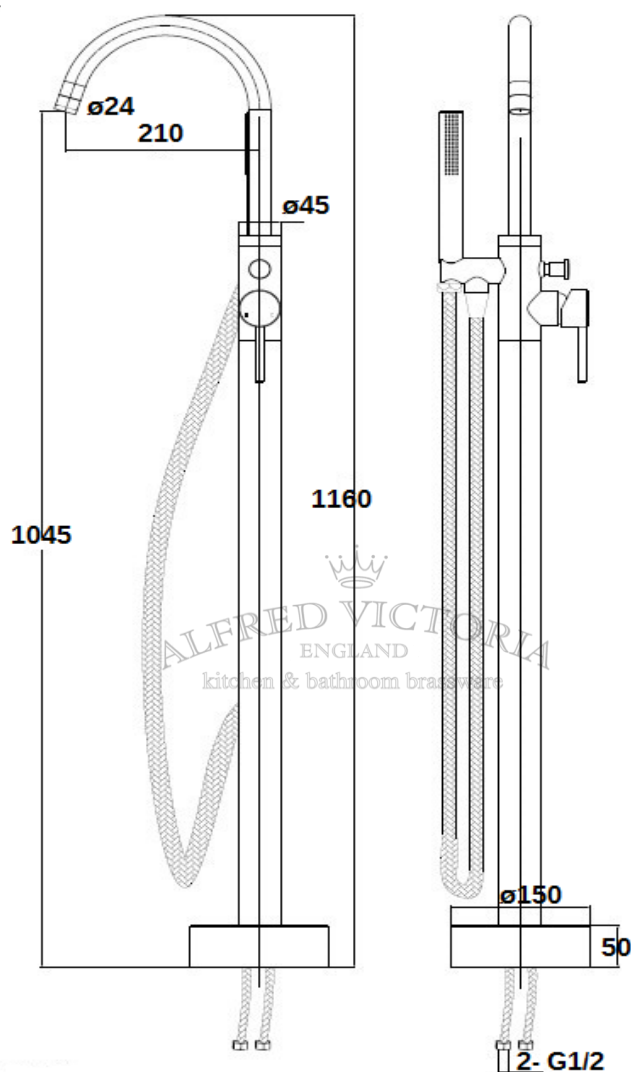


TECHNICAL DATA SHEET

G88BP Freestanding Bath Shower Mixer (Inc. Shower Kit)

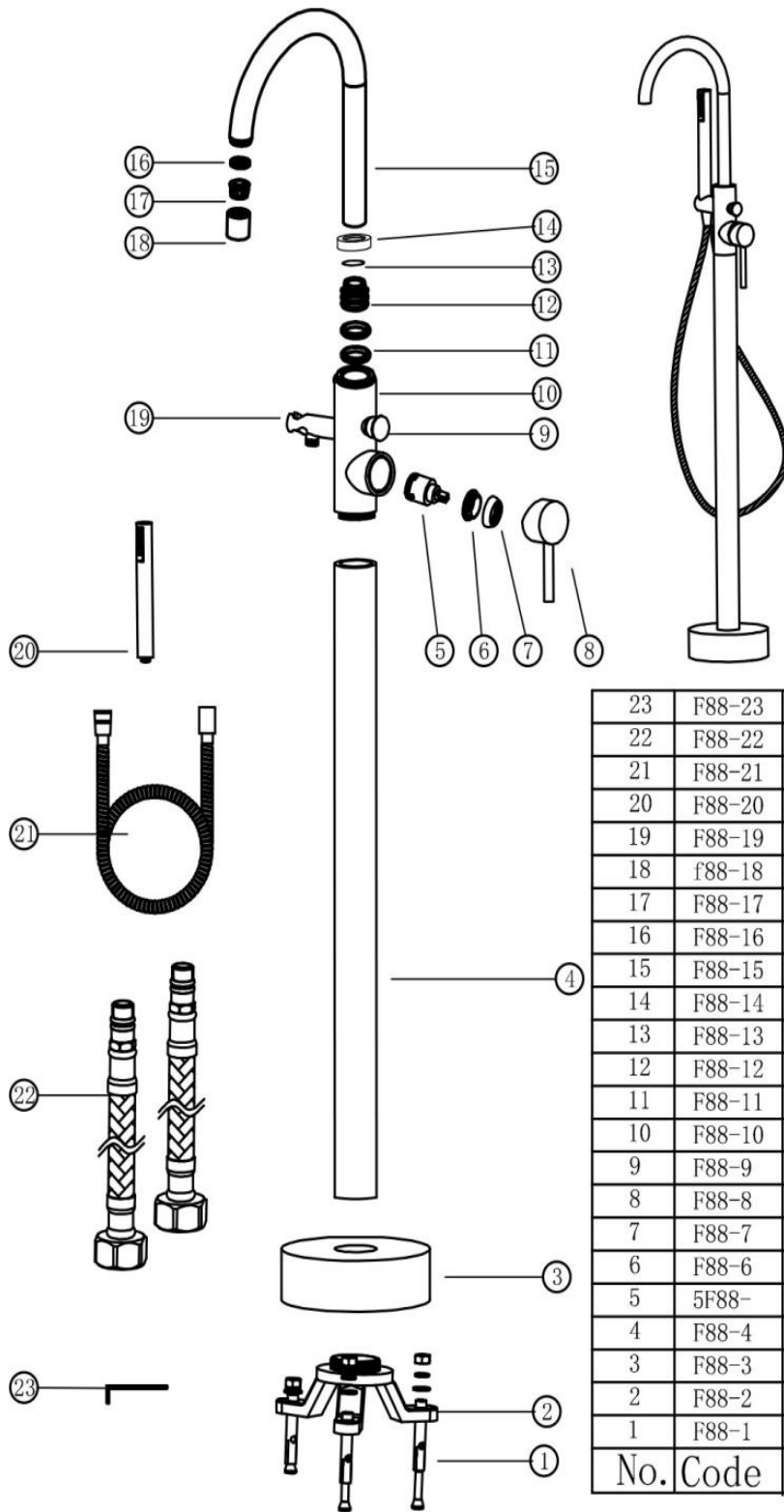
Barcode	5300614873874
Product Code	G88BP
Construction	Brass Body CuZn40Pb2, EN CW617N (equivalent to BS CZ122)
Finishes	Matt Black
Product Type	Contemporary
Water Pressure	Min. 1.0 bar, Max. 6.0 bar
Plumbing Systems	Suitable for all plumbing systems
Standards	Complies with BS5412, BS EN200
Certification	Manufactured to comply with WRAS
Cartridge	40mm Ceramic disc cartridge
Fitting	M10 x 3/4" BSP Female Flexi Tails
Aerator	Laminar
Packaging	94.5x35x43cm/carton(4pcs), Box size: 94x34x10.5cm, Weight:4.75kg
Guarantee	10 years against manufacturing faults (excluding serviceable parts).
Additional Information	Supplied with 1.5m PVC shower hose and single mode brass handset



Flow Rates (Litres per minute)

System Pressure	0.1 Bar	0.2 Bar	0.3 Bar	0.5 Bar	1.0 Bar	1.5 Bar	2.0 Bar	3.0 Bar	4.0 Bar	5.0 Bar
G88BP	-	3.0	-	4.8	8.0	-	9.5	15.0	-	-

The information contained on this page was correct at date of issue. Fitting dimensions are provided as a guide only. Some variation may occur due to manufacturing tolerances. We pursue a policy of continuing improvement in design and performance of our products and so reserve the right to change specifications without prior notice.



23	F88-23	Hex key	1
22	F88-22	Flexi tails	2
21	F88-21	Hose	1
20	F88-20	Handset	1
19	F88-19	Handset bracket	1
18	f88-18	Aerator cap	1
17	F88-17	Aerator	1
16	F88-16	O ring	1
15	F88-15	Spout	1
14	F88-14	Collar	1
13	F88-13	Washer	1
12	F88-12	Brass nut	1
11	F88-11	O ring	2
10	F88-10	Body	1
9	F88-9	Diverter cap	1
8	F88-8	Handle	1
7	F88-7	Chrome collar	1
6	F88-6	Brass nut	1
5	5F88-	Cartridge	1
4	F88-4	Stand pipe	1
3	F88-3	Base plate	1
2	F88-2	Fixing anchor	1
1	F88-1	Fixing bolt	3
No.	Code	Name	Qty

Alfred Victoria Exploded Drawings			Material:	Assembly	Size:	A4
			(Date:D/M/Y)	Scale:	None	Issue No: 01
Drawn by:	Sherman	16/05/2016				
Checked by:	Lee	16/05/2016				
Approved by:	T. K.	16/05/2016				
Drawing Name:						